

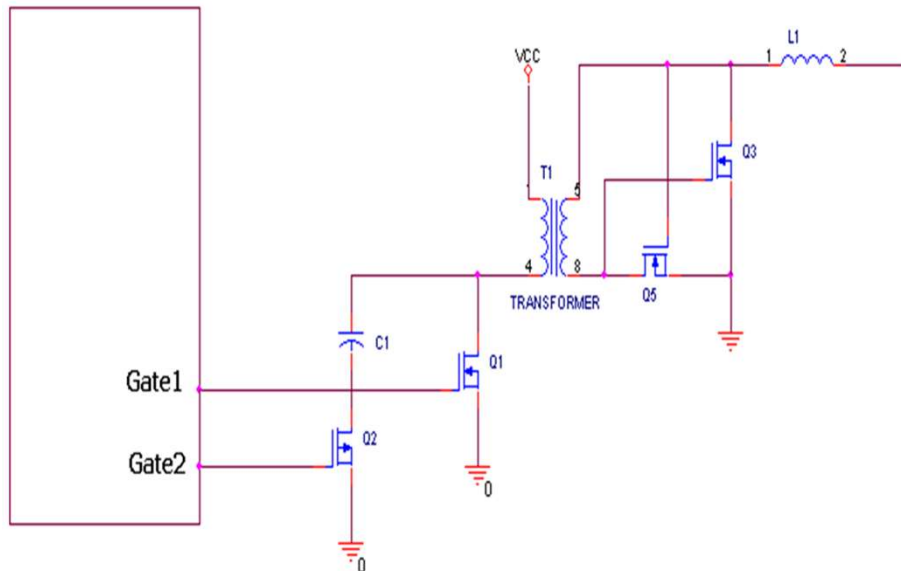
# MOSFET Applications

## Power over Ethernet (PoE)



### Key features and benefits

- High power density.
- Higher performance with lower RDS(on).
- Enhanced protection.
- Higher efficiency and more effective solutions.
- Support 48V standard and 100W PoE systems.
- Large screen LCD displays/ 5G pico-cells/ Wi-Fi hotspots and CCTV power sourcing equipment (PSE).



	Voltage(V)	Package Type	PN#	Rds(ON)(mΩ) Vgs@10V	Qg(nC)
Primary side	150	SO-8	CEM0415	85	23
			CEM0615L	65	4.7
			CEM0615A	65	5
		TOLL	CET0415	90	23
		PR PACK5X6	CEZ5515L	65	4.7
			CEZ6515	80	27
-150	TSOP-6	CEH2351	720	11	
	PR PACK3X3	CEZC2351	680	11	
Secondary side	60	SO-8	CEM6186A	21	14
		TO-263	CEM6362	43	9.7
	65	PR PACK5X6	CEB6024L	2.9	30
		SO-8	CEZ6R40SL	4.5	26
	100	SO-8	CEM1310SL	8.2	23
		TO-263	CEB260N10S	2.4	155
		PR PACK5X6	CEZ06R10SL	7.2	22
			CEZ10R10A	9.4	18
	150	PR PACK5X6	CEZ10R15L	11.5	48
		TO-252	CEU55N15	17	30
TO-263		CEB200N15	4.6	64	